



Professional P&ID Library

Industry-standard Symbol library for routed systems designers

Start designing straight away with an industry-standard Professional P&ID library for Creo Schematics™

Professional Process and Instrumentation Diagram Library

Introducing a new addition to Virtual Interconnect's extensive line up of library products: the Professional P&ID Symbol Library. Building on the success of our Starter P&ID symbol library, and due to the demand we've encountered for even more electrical, pneumatic, and hydraulic symbols, we now offer the Professional variant.

Benefits

Designed to meet the specifications of the International Standards Organisation and the International Electrotechnical Commission, the Professional P&ID library offers all the symbols required to produce P&IDs to the highest possible standard. The ability to tailor each fully validated symbol to your individual requirements provides almost unlimited flexibility— allowing your engineers make even the most complex systems clear. Crucially, by incorporating the Professional P&ID library into your workflow, you'll avoid the risk of using potentially misleading and confusing symbols with our guarantee of symbol compliance.

A Library for Your Needs

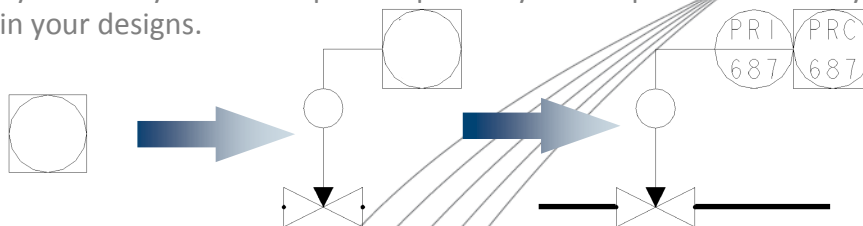
As well as the symbols, the library includes all the instrument signal lines you'll require: Process, Measuring, Signal, Electric, Pneumatic, Hydraulic, Capillary, as well as Conducted Radiation. We also include four drawing templates to get you started. The table below gives more details:

- Symbol Library Features:**
- Fully validated with Creo Schematics™
 - All P&ID symbols are drawn to the ISO 3511 & ISO 10628 standards
 - Compliant with IEC 62424
 - Global Parameters file
 - Available in mm drawn to 2.5 mm grid
 - Available in inch drawn to 1/4 inch grid
 - Intuitive customisation of symbols for entering letter code identifiers
 - Modular symbol design facilitates rapid design implementation and modification

Library	Description	Symbols	Instrument Signal Lines	Templates	Total Items
Professional P&ID	Symbols approved for Professional P&ID applications	490	17	4	511

How does the Professional P&ID Symbol library work?

Simply combine the standardised base symbols provided in the library to build up the level of detail as shown below. Quickly and easily create unique composite symbol representations any and all of the processes required in your designs.



www.virtual-interconnect.com

LEADING THE WAY IN ROUTED SYSTEMS



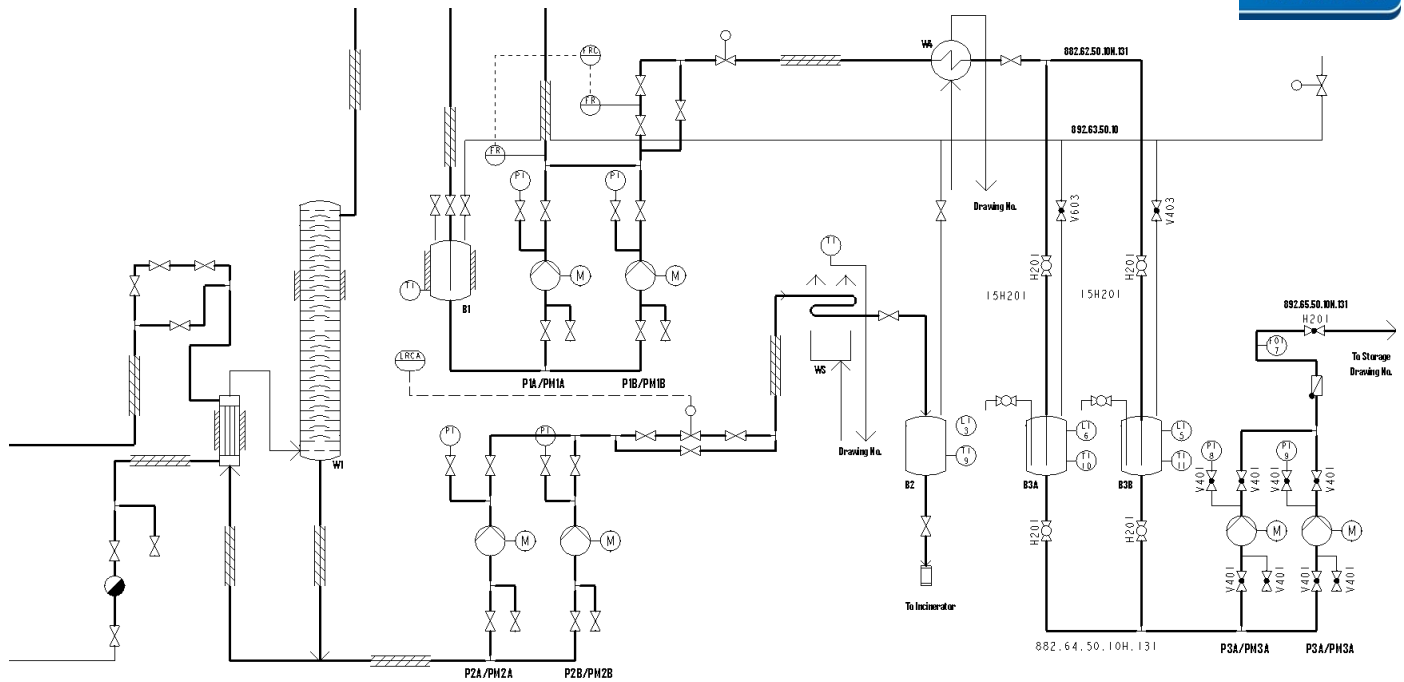
Professional P&ID Library v1.0.0

Industry-standard symbol library for routed systems designers

Data Sheet

What's Included

Our Professional P&ID Library includes a comprehensive set of Symbols:



Customisation

If our standard Professional P&ID library doesn't quite meet your needs, talk to us about customisation.

Legacy Libraries

If you already have a piping or process symbol library, there is no need to start again. Contact us and we can help you convert them into their Creo equivalents.

Find out more

Contact us to talk about your specific needs, or visit our web shop: www.virtual-interconnect-shop.com where you can download a free sample of our models, data sheets, and a full inventory for the Professional P & ID library.

Maintenance

Our maintenance contract ensures your library is kept up-to-date providing you with peace of mind.

Also Available

SMARTPart libraries are available for:

- AEROSPACE & MILITARY
- MILITARY STANDARDS
- INDUSTRIAL COMPONENTS
- SPECIALIST VEHICLE
- ELECTRICAL CABINET

Symbol libraries for Creo Schematics:

- IEEE 315-1975
- ISO 1219-1
- IEC 60617:2012
- STARTER P&ID

HOW TO BUY

Visit our web shop
www.virtual-interconnect-shop.com or
contact us to discuss your requirements.



Virtual Interconnect Inc.
4860 Cox Road, Suite 200
Glen Allen, VA 23060

t: +1 804 935 8550
e: info@virtual-interconnect.co.uk
w: www.virtual-interconnect.com
www.virtual-interconnect-

LEADING THE WAY IN ROUTED SYSTEMS

creo™ **READY**
A PTC Product

PTC Silver
PartnerAdvantage

Creo®, and Creo Schematics™ are trademarks or registered trademarks of PTC Inc. or its subsidiaries in the USA and in other countries

© 2015 Virtual Interconnect Inc.